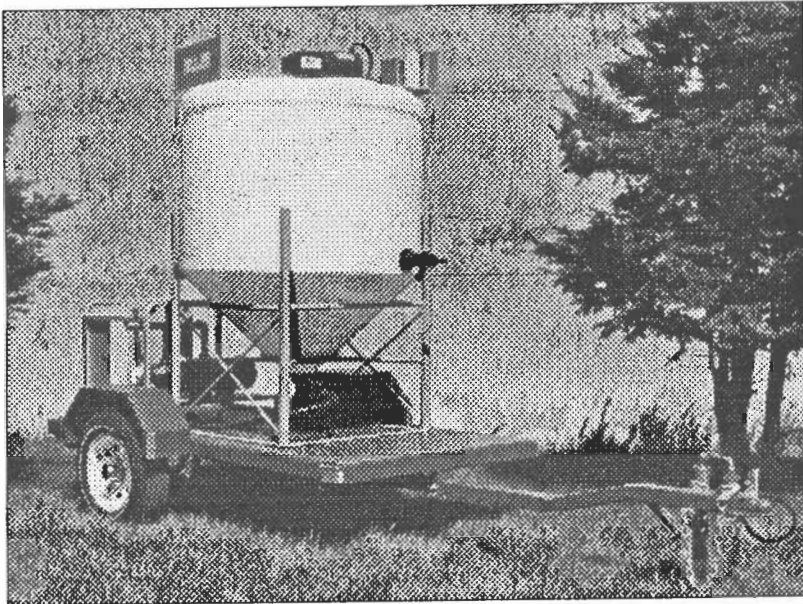




CHEMIGATION SYSTEMS INTERNATIONAL  
 a division of CHEMIN INDUSTRIAL SYSTEMS, INC.



# Complete Trailer mounted injection systems

SEVERAL DIFFERENT TANK SIZES AND SHAPES ARE AVAILABLE ...with or without CSI high torque agitators

ANY CSI INJECTOR AND ONE, TWO, THREE OR FOUR CSI TANKS ON THE CSI TRAILER OF YOUR CHOICE ...providing complete, portable injection capability in one easy-to-handle package

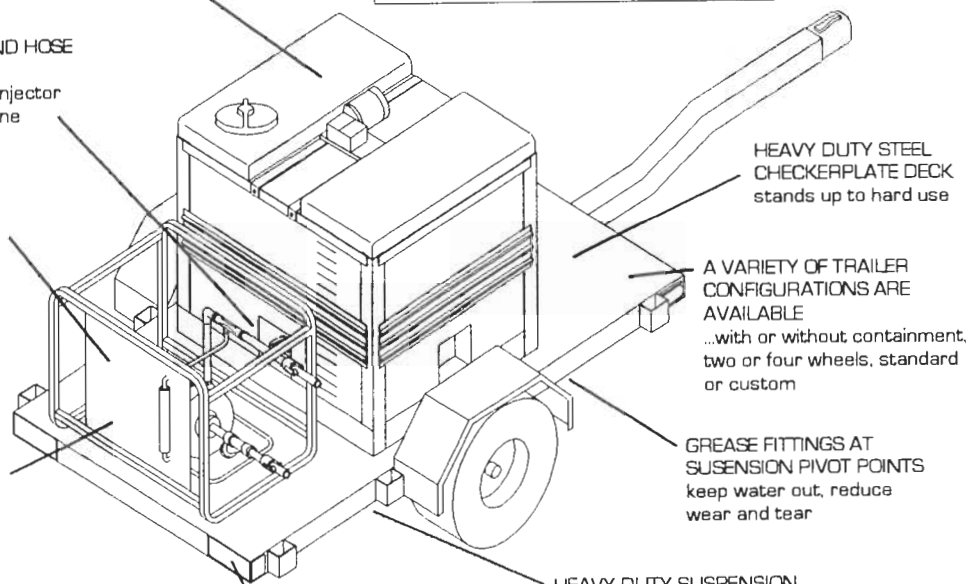
ALL FITTINGS, VALVES AND HOSE INCLUDED for connecting tank(s) to injector and injector to irrigation line

CHOOSE ONE OF CSI'S ELECTRIC POWERED INJECTORS and an AC mix tank, all trailer mounted, for chemigating widespread areas that have electrical service

...OR...

CHOOSE ONE OF CSI'S GAS POWERED INJECTORS and a DC mix tank, all trailer mounted, for chemigating widespread areas without electrical service

COMPLETE, PORTABLE, MULTI LIQUID INJECTION SYSTEMS ARE AVAILABLE ...two or more CSI mix tanks mounted on a trailer with any CSI multi venturi injector



HEAVY DUTY STEEL CHECKERPLATE DECK stands up to hard use

A VARIETY OF TRAILER CONFIGURATIONS ARE AVAILABLE ...with or without containment, two or four wheels, standard or custom

GREASE FITTINGS AT SUSENSION PIVOT POINTS keep water out, reduce wear and tear

HEAVY DUTY SUSPENSION negotiates rutted farm roads with ease

TWO WHEEL TRAILERS ARE EQUIPPED WITH RUNNING LIGHTS

**CSI** wants to be your injector supplier.

## Trailer mounted injection systems

TRAILER MODEL NUMBER	TN2	TC2	TN4	TC4
NUMBER OF WHEELS.....	2 wheel	2 wheel	4 wheel	4 wheel
TRAILER STYLE.....	Flat top	Containment	Flat top	Containment
STANDARD CONTAINMENT CAPACITY..... (other containment volumes also available)	N/A	175 gallons	N/A	500 gallons
DRY WEIGHT (trailer alone, without tank or injector).....	490 lb	740 lb	870 lb	1280 lb
TOTAL LENGTH (including tongue).....	152"	152"	216"	216"
TOTAL WIDTH.....	66"	66"	70"	70"
SUSPENSION TYPE.....	Leaf springs w/ grease fittings	Leaf springs w/ grease fittings	Solid axle assemblies	Solid axle assemblies
DECK MATERIAL.....	Steel checkerplate with steel sides, with corrosion resistant epoxy finish			
RUNNING LIGHTS INCLUDED?.....	Yes	Yes	No	No
WIRING.....	All #12, sheathed for weather resistance, with 3 male/1 female tow vehicle connector		N/A	N/A
MAXIMUM TOW SPEED.....	25 mph	25 mph	25 mph	25 mph

### IMPORTANT:

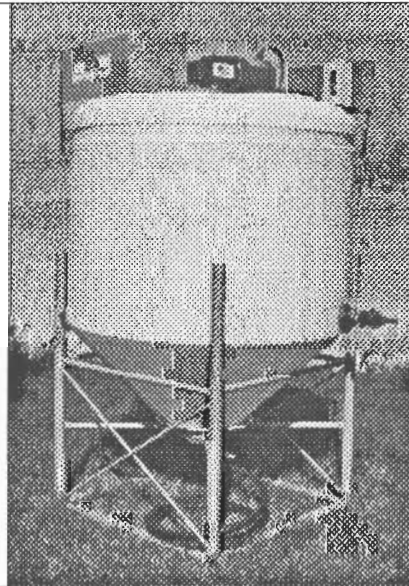
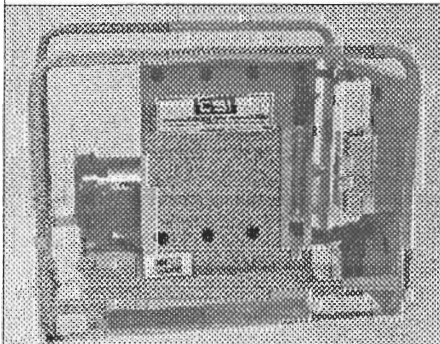
- CSI 4-wheel trailer mounted injection systems are designed for on-farm travel only, not for highway use.
- Pursuant to all federal, state and local laws, CSI 2-wheel trailer mounted injection systems may be moved on roads if tanks are empty.
- Trailers must not be moved while there is liquid in any tank or in containment.
- Trailer speed must not exceed 25 miles per hour under any circumstances.
- Trailer must be parked on a solid, level surface, with trailer tongue supported and the wheels chocked or the trailer otherwise made immovable before any liquid is put in tank(s).
- Trailer tongue support must be capable of supporting weight of liquid in tank.

FOR INFORMATION ON CSI INJECTORS AND MIX TANKS TO BE MOUNTED ON CSI TRAILERS  
PLEASE REFER TO OTHER CSI DATA SHEETS OR CALL CSI.

CSI strives for continuous improvement of its products. We reserve the right to change the specifications and/or appearance of our products without notice or obligation.

**Chemical  
and  
fertilizer  
injectors...**

**...mix  
tanks...**



## OTHER SYSTEMS AND COMPONENTS



**...and custom trailer  
mounted systems**

## CSI CHEMIGATION EQUIPMENT

CSI manufactures a complete line of chemigation equipment, including electric and gasoline engine powered injectors for chemigating and fertigating with single or multiple liquids.

CSI equipment is MADE IN USA.