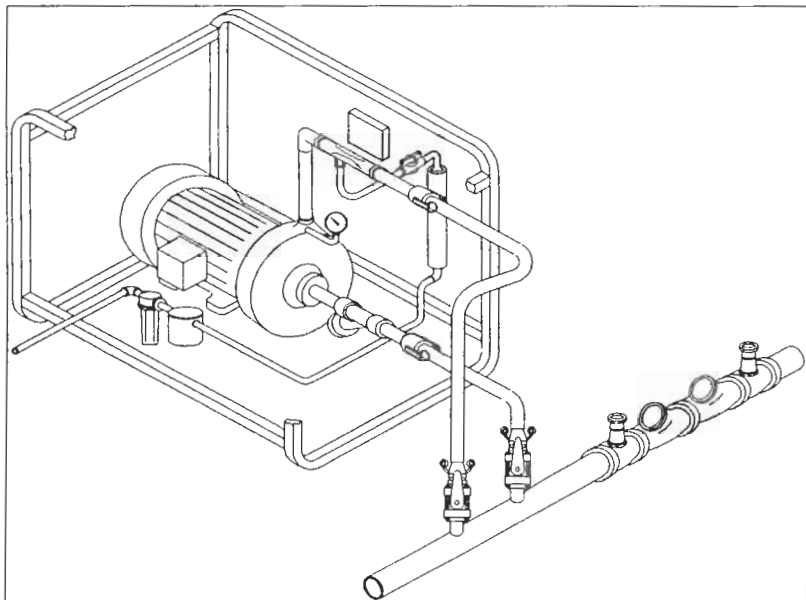




CHEMIGATION SYSTEMS INTERNATIONAL

a division of CHEMINDUSTRIAL SYSTEMS, INC.

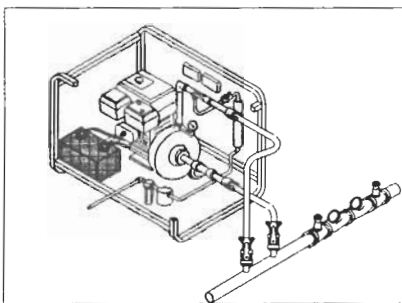
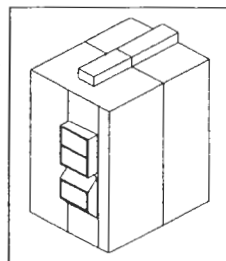


# Options for CSI injectors

...a range of add-ons  
to make injection  
even easier.

Starter for any electric powered CSI injector: **OPTION SE**

Motor starter and overload protection, external on, off and reset buttons, all wired in a weatherproof NEMA 4X enclosure mounted inside injector frame.



**OPTION SG:** Starter for any gas engine powered CSI injector

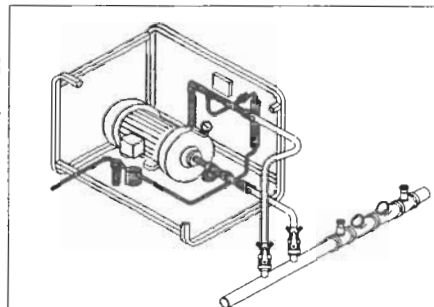
Electric starter with key for gasoline engine, with integral 10 Amp charging circuit. Includes battery mounted inside injector frame.

More corrosion resistant materials for any CSI injector: **OPTION R**

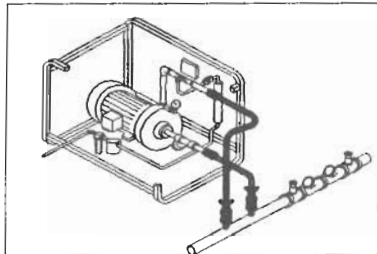
Standard CSI injector materials are appropriate for injecting most fertilizers. However, many chemical formulations and some fertilizer formulations require more corrosion resistant materials.

OPTION R provides this extra corrosion resistance in the injector's key components, including piping, flowmeters and chemical screens.

Call CSI if you're not sure whether OPTION R is appropriate for your formulation.



## CSI wants to be your injector supplier.



### OPTIONS N AND K: Installation kit options for any CSI injector

OPTION N includes all hose, fittings and valves sized to properly connect the injector to the irrigation line. Two couplings included to weld into the irrigation line, providing connection points for the injector's inlet and outlet. Hose length: 10 feet each.

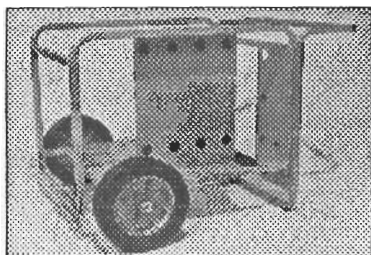
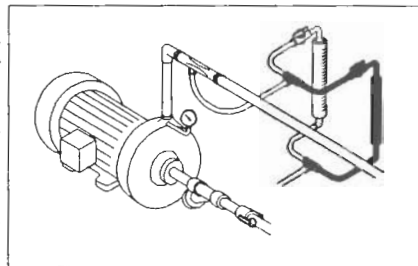
OPTION K is similar to OPTION N, but with more corrosion resistant materials. OPTION K is usually used to install CSI injectors equipped with OPTION R (described on front).

### Extra flowmeter resolution for any CSI injector: OPTION X

OPTION X provides an additional, high resolution flowmeter and flow control assembly. This allows you to inject fertilizer or chemical in the injector's normal range...

...OR...

...switch to the high-resolution line for injecting concentrated chemicals or other materials requiring a high degree of accuracy at a much lower flow rate.

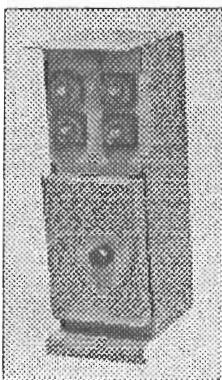
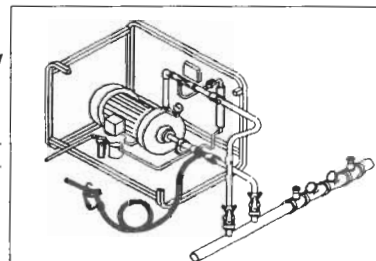


### OPTION P: Built-in wheels for easy portability of any CSI injector

Heavy duty 12 inch semipneumatic wheels let one person move the injector easily, even over rough terrain. The rigid handle gives good control and leverage.

### Washdown/fill kit for any CSI injector: OPTION W

Lets you use water from the irrigation line to wash down equipment or fill mix tanks. Installed at the injector inlet. With easy-to-use nozzle valve and ten feet of hose.



### OPTION AUTO C: Automation option to interface any CSI injector with owner's irrigation system controls

Includes an automatic valve for each injection line, with interface to allow the injector's pump and injection line(s) to be operated by the owner's irrigation automation system. Includes emergency stop button. All wired and installed in a weatherproof NEMA 4 enclosure, mounted inside injector frame.

### OPTION AUTO T (pictured): Automation option for on-board control of complex treatment programs with any CSI injector

Includes control panel with separate electronic timer, start button and control valve for each injection line. Can include interlock to shut down irrigation system pump when all injection flows time out. Includes emergency stop button. All wired and installed in a weatherproof NEMA 4 enclosure, mounted inside injector frame.

CSI strives for continuous improvement of its products. We reserve the right to change the specifications and/or appearance of our products without notice or obligation.

## CSI CHEMIGATION EQUIPMENT

CSI manufactures a complete line of chemigation equipment, including electric and gasoline engine powered injectors for chemigating and fertigating with single or multiple liquids.

CSI equipment is MADE IN USA.