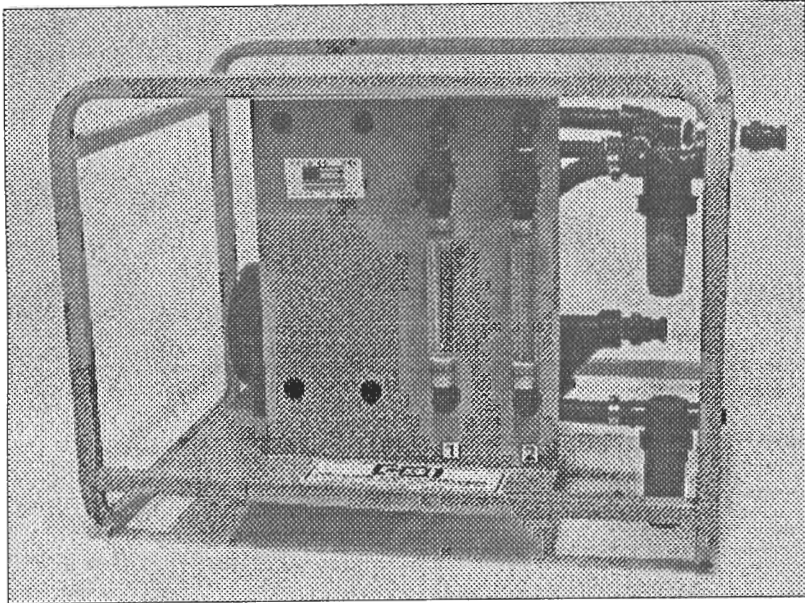




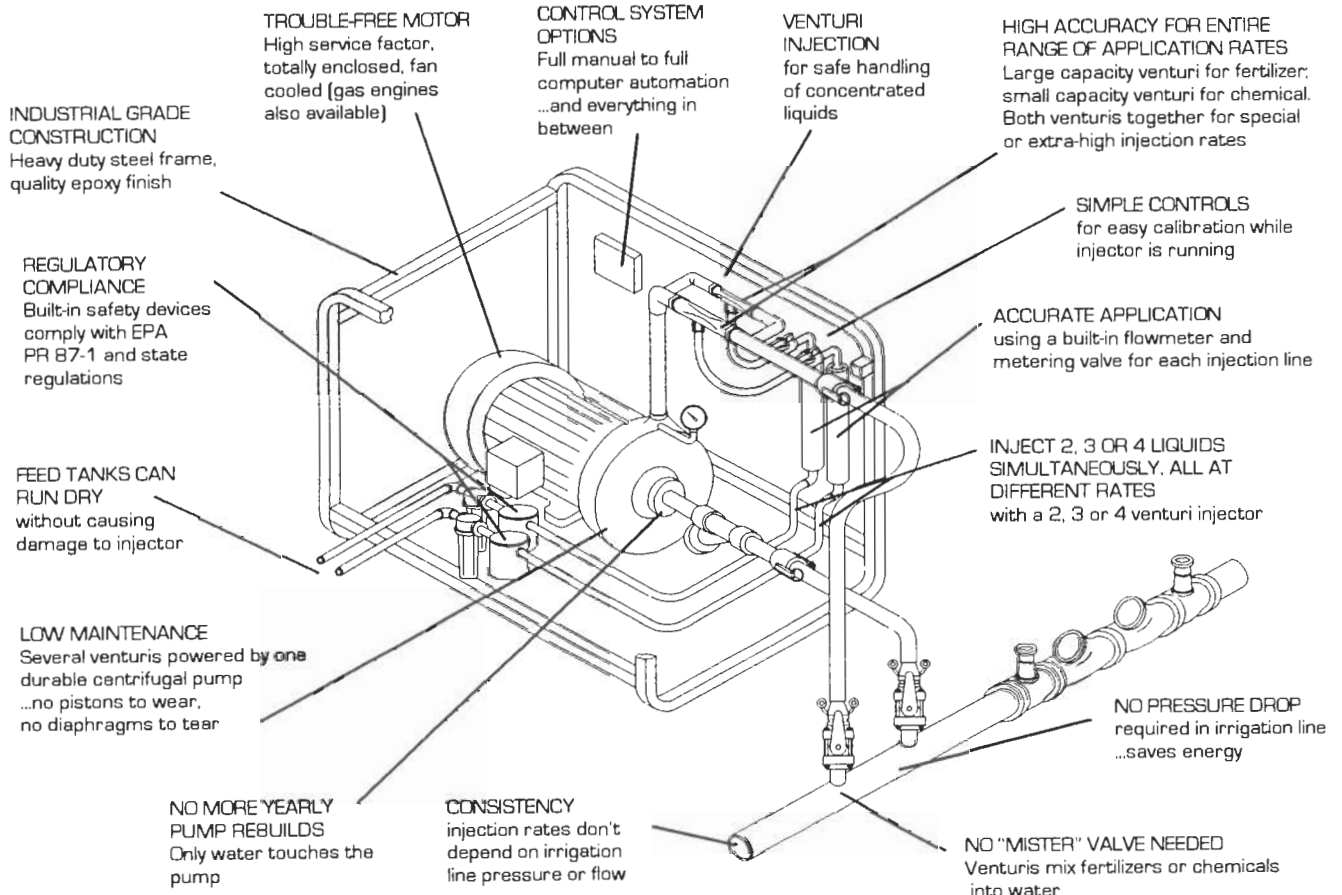
CHEMIGATION SYSTEMS INTERNATIONAL

a division of CHEMINDUSTRIAL SYSTEMS, INC.



Chemigation and fertigation injectors

...MULTIPLE VENTURI models



CSI wants to be your injector supplier.



TECHNICAL DATA

Multiple venturi injectors
...electric or gas powered.

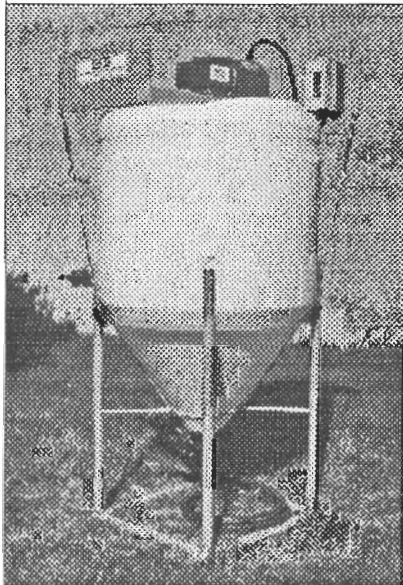
CSI multi venturi injectors let you inject two, three or four separate liquids simultaneously or in sequence, each at its own rate — all powered by just one pump.

Injection rate ranges available: 0 to 400, 0 to 160, 0 to 60, 0 to 15 and 0 to 3gph.
Mix and match these ranges in almost any two, three or four liquid combination
...as shown in LIST OF MODELS →

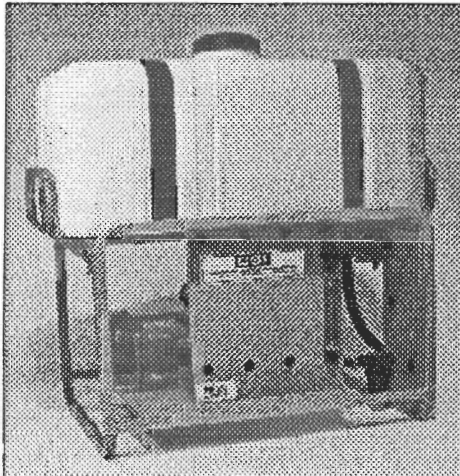
2 venturi models	3 venturi models	4 venturi models
400/400	400/400/400	400/400/400/400
400/180	400/400/180	400/400/400/180
400/60	400/400/60	400/400/400/60
400/15	400/400/15	400/400/400/15
400/3	400/400/3	400/400/400/3
160/180	400/160/180	400/400/160/180
160/60	400/160/60	400/400/160/60
160/15	400/160/15	400/400/160/15
160/3	400/160/3	400/400/160/3
60/60	400/60/60	400/400/60/60
60/15	400/60/15	400/400/60/15
60/3	400/60/3	400/400/60/3
15/15	400/15/15	400/400/15/15
15/3	400/15/3	400/400/15/3
3/3	400/3/3	400/400/3/3
	160/160/160	400/160/160/160
	60/160/60	400/60/160/60
	160/160/15	400/160/160/15
	160/160/3	400/160/160/3
	160/60/60	400/160/60/60
	160/60/15	400/160/60/15
	160/60/3	400/160/60/3
	60/60/60	400/60/60/60
	60/60/15	400/60/60/15
	60/60/3	400/60/60/3
	60/15/15	400/60/15/15
	60/15/3	400/60/15/3
	60/3/3	400/60/3/3
	15/15/15	400/15/15/15
	15/15/3	400/15/15/3
	15/3/3	400/15/3/3
	3/3/3	400/3/3/3
	180/180/180/160	
	180/180/180/60	
	180/180/180/15	
	180/180/180/3	
	180/180/60/60	
	180/180/60/15	
	180/180/60/3	
	180/180/15/3	
	180/180/3/3	
	180/60/60/60	
	180/60/60/15	
	180/60/60/3	
	180/60/15/15	
	180/60/15/3	
	180/60/3/3	
	180/15/15/15	
	180/15/15/3	
	180/15/3/3	
	180/3/3/3	
	60/60/60/60	
	60/60/60/15	
	60/60/60/3	
	60/60/15/15	
	60/60/15/3	
	60/60/3/3	
	60/15/15/15	
	60/15/15/3	
	60/15/3/3	
	60/3/3/3	

INJECTOR TYPE.....	Multiple venturi injector powered by a single centrifugal pump.
CONSTRUCTION.....	Steel frame with corrosion resistant epoxy finish.
APPROXIMATE DIMENSIONS.....	24" wide x 32" long x 22" high (similar dimensions for most models).
INJECTION RATE CALIBRATION.....	Instant visual calibration of each injection line in gallons and liters per hour, with separate flow control devices for each injection line.
CONTROLS.....	Manual control valves standard; automation options also available.
PRESSURE RATING.....	All models are suitable for irrigation line pressures up to 75 psi. Most are suitable for higher pressures — call CSI for details on specific models.
IRRIGATION LINE CONNECTIONS.....	3/4" to 3" camlock fittings — size depends on number and capacity of injection lines.
INJECTION LINE CONNECTIONS.....	3/4" hose barb for each injection line.
APPROXIMATE WEIGHT.....	Most weigh between 90 and 190 lb, depending on number and capacity of injection lines.
PUMP & MOTOR TYPE AND SIZES	
Electric motor powered:.....	Centrifugal pump close-coupled to high service factor totally enclosed motor, 0.5 hp through 15 hp depending on number and capacity of injection lines
Gas engine powered:.....	Honda OHC engine, 5.5 to 20 hp depending on number and capacity of injection lines.

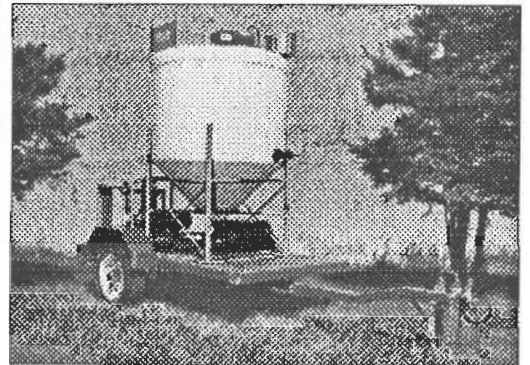
CSI strives for continuous improvement of its products. We reserve the right to change the specifications and/or appearance of our products without notice or obligation.



Chemical and fertilizer feed tanks



ACCESSORIES



Trailers
...flat-top and containment

OTHER CSI INJECTORS

CSI manufactures a complete line of chemigation equipment, including electric and gasoline engine powered injectors for chemigating and fertigating with single or multiple liquids.

CSI injectors are MADE IN USA.